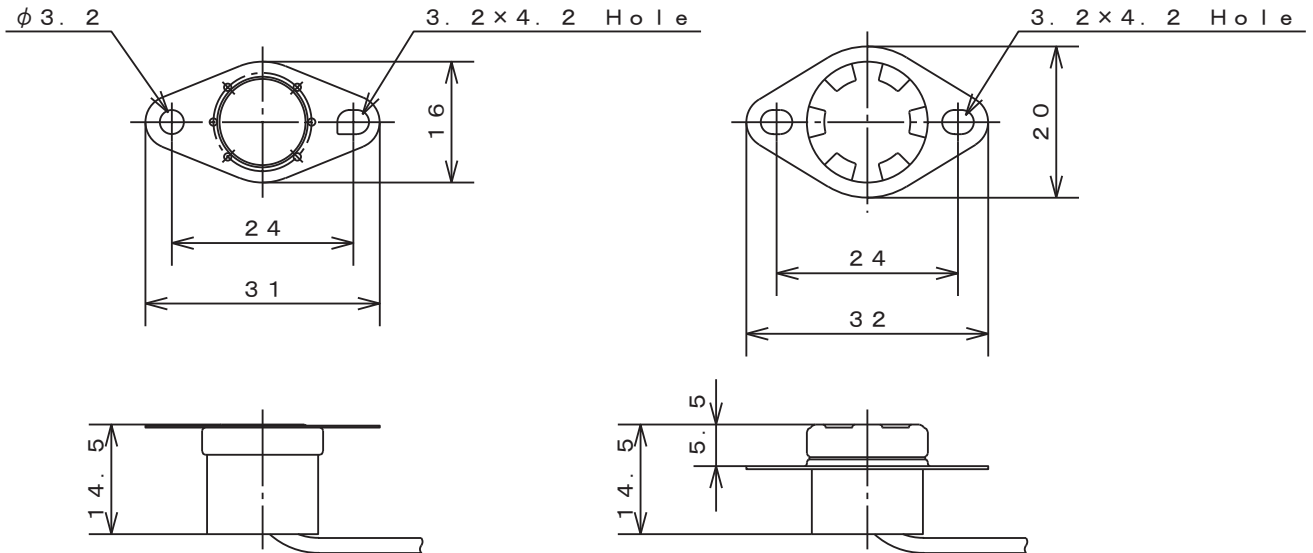




1/2" Disc Type Thermostat  
Drip-proof Type Automatic Reset

**Type 60EN**

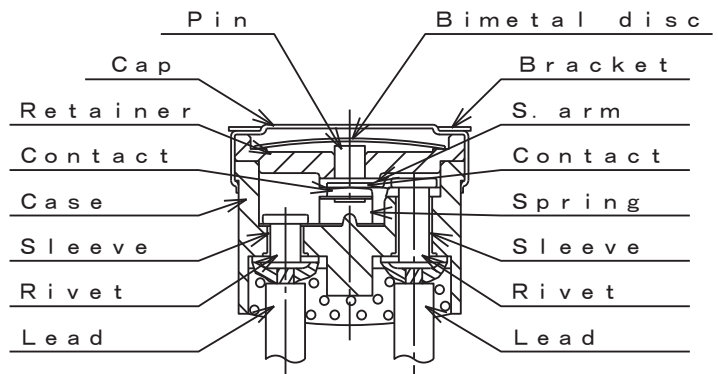
**Dimensions**



**Materials of parts**

Part	Material
Cap	Aluminum
	Copper
	Stainless steel
Case	Phenolic resin
Spring	Beryllium Copper alloy
Leads	PVC etc
Bracket	Stainless steel
Contacts	Silver-Nickel alloy

**Structure**



**Specification**

Item	Specification
1. Basic features	SPST Automatic reset
2. Operation	A : Contacts open on temperature rise B : Contacts close on temperature rise
3. Electrical rating	AC125V/15A AC250V/10A (at 1.25mm <sup>2</sup> lead wire) 1,000 cycles
4. Calibration method	Hot & cold air circulation system
5. Temperature rating	Operating temperature Max. 80°C
6. Insulation resistance	Not less than 1,000MΩ/DC500V
7. Dielectric strength	Not less than AC1,500V/1min. or AC1,800V/1sec.

**Standard**